

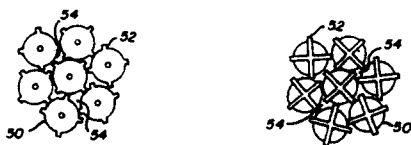
A new method is devised for the production of raw iron or so-called metallized iron ore. Biofuels i.e. preferably fuel wood and/or peat is in the final reduction brought into direct contact with the iron containing material in its solid state. Biofuels have very different properties compared to reduction agents on the basis of fossil fuels primarily coal and develop rapidly a reactive reduction gas at a comparatively low temperature. The new raw iron process is carried out with the iron containing material in its solid state of aggregation in different kinds of fluidized bed reactors in different system configurations.

4360339

FLUIDIZED BOILER

Henry J Blaskowski assigned to Combustion Engineering Inc

A fluidized bed call having a static ignition bed (18) of inert heat storage particles



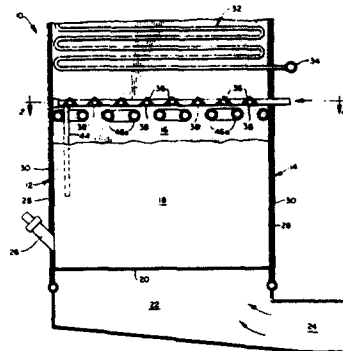
disposed immediately beneath and adjacent to a fluidizing region wherein fuel particles are combusted, characterized in that the heat storage particles are generally spherical in shape, each particle having a plurality of protuberances extending outwardly from the surface of the particle a preselected length thereby maintaining a minimum spacing, equal to the preselected length of the protuberances, between neighboring spherical particles

within the static ignition bed thereby ensuring that sufficient void space exists within the static ignition bed for the fluidizing air to flow upward through the static ignition bed into the fluidizing region without an excessive pressure drop and for the fuel particles to laterally penetrate the static ignition bed.

4359968

FLUIDIZED BED HEAT EXCHANGER UTILIZING A BAFFLE SYSTEM

Robert D Stewart assigned to Foster Wheeler Energy Corporation



A fluidized bed heat exchanger in which a bed of particulate material is supported on a grate in a housing and air is passed through the grate and the particulate material to fluidize the bed and promote the combustion of combustible material contained therein. A baffle system is disposed in the housing for impacting with the entrained particulate material in the air and gaseous products of combustion to remove the latter material and permit it to fall by gravity back to the bed. A series of tube sections are provided in the housing for directing the air and gaseous products to the baffle means and gases are injected from the proximity of the baffle means downwardly toward the bed.

4359493

METHOD OF VAPOR DEPOSITION

Vern A Henery assigned to PPG Industries Inc